

Part # **PLCC84**

Leads **84** Pitch **1.27mm (50mils)**

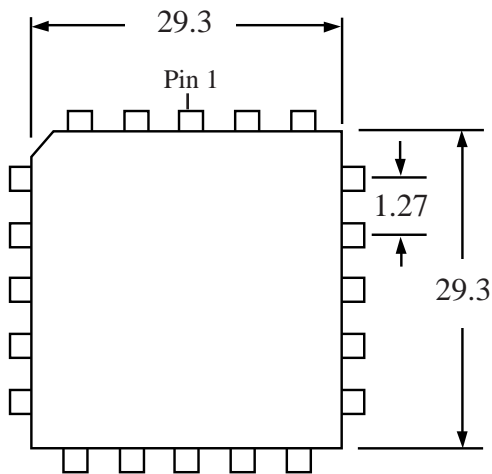
Body Size **29.3mm (.95" SQ)**

Dwg PLCC84.pdf

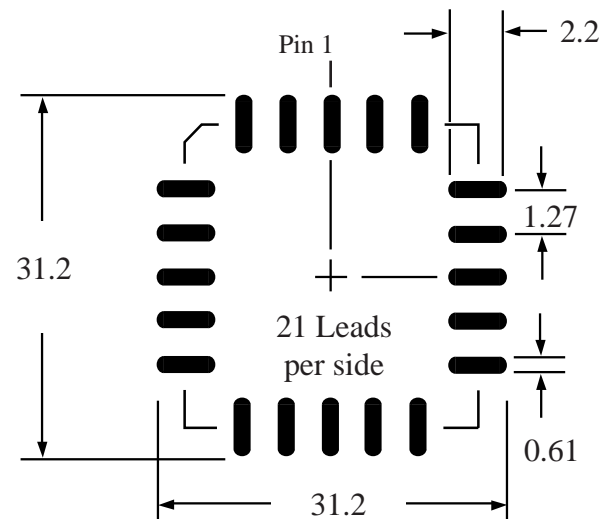
TopLineTM

Tel 1-714-898-3830

info@topline.to

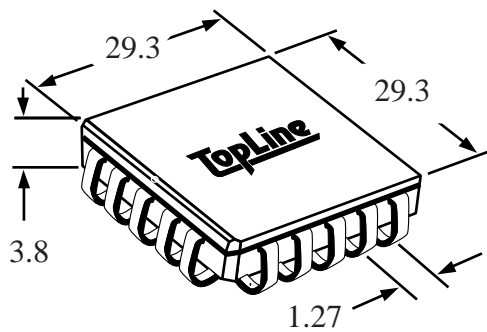


Top View

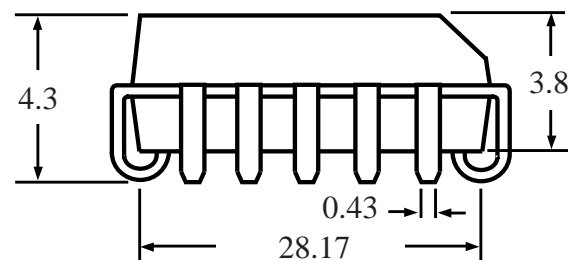


PC Board

Dimensions = mm



Quick View



Side View Detail